

# Thermaltake S100 TG Micro Case

- **Style : Simple**
- **Size : Mini-Tower supports up to M-ATX MB**
- **Material : Steel & Plastic & Tempered Glass**
- **Main Feature**

- **Connection : Top- front I/O ports with 1 x USB 3.0, 2 x USB2.0**
- **Ventilation : 1 preinstalled 120mm rear fan**
- **Expansion : 2+1 drive bays with modular drive racks design**
- **Support : LCS & Advance Cable Management**



# Thermaltake S100 TG Micro Case

## • Specification

Model	S100 TG	S100 TG Snow
P/N	CA-1Q9-00S1WN-00	CA-1Q9-00S6WN-00
Case Type	Micro Case	
Chassis Dimension (H*W*D)	411 x 220 x 441 mm (16.18 x 8.66 x 17.36 inch)	
Net Weight	<b>6.1 kg / 13.45 lbs.</b>	
Side Panel	Tempered Glass x 1	
Color	Exterior & Interior : Black	
Material	SPCC	
Cooling System	<b>Rear (exhaust) :</b> 120 x 120 x 25 mm fan (1000rpm, 16 dBA)	
Drive Bays	-	
-Accessible	-	
-Hidden	2 x 2.5" (HDD Bracket); 2 x 3.5" or 2 x 2.5" (HDD Rack);	
Expansion Slots	4	
Motherboards	6.7" x 6.7" (Mini ITX), 9.6" x 9.6" (Micro ATX),	
I/O Port	1 x USB 3.0, 2 x USB 2.0, 1 x HD Audio,	
PSU	Standard PS2 PSU ( <b>optional</b> )	
Fan Support	<b>Front:</b> 3 x 120mm, 2 x 140mm <b>Top:</b> 2 x 120mm, 2 x 140mm, 1 x 200mm <b>Rear:</b> 1 x 120mm,	
Radiator Support	<b>Front:</b> 1x 240mm, 1 x 280mm <b>Top:</b> 1 x 240mm, 1x 280mm <b>Rear:</b> 1 x 120mm,	
Clearance	CPU cooler height limitation: <b>165mm</b> PSU length limitation: <b>160mm</b> VGA length limitation: <b>330mm</b>	

# Thermaltake S100 TG Micro Case

## •Packaging

Package Information	S100 TG	S100 TG Snow
EAN Code	4713227525084	4713227525091
UPC Code	841163075098	841163075104
N.W	6.1 kg / 13.45 lbs.	
G.W	7.12 kg / 15.7 lbs	
Carton Size (L x W x H)	513 x 295 x 480 mm / 20.2 x 11.61 x 18.9 inch	
Cuft	2.57	
Container	w/o pallet	
20'	370	
40'	800	
40' HQ	960	



# Thermaltake S100 TG Micro Case

## • Appearance – Window



Angle view



Left Side view



Front view



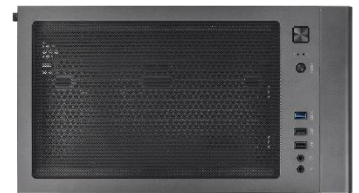
Right Side view



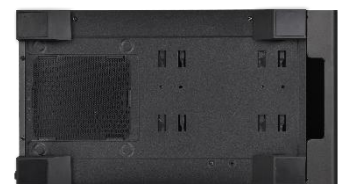
Internal Structure



Rear view



Top view



Bottom view

# Thermaltake S100 TG Micro Case

- **Unique Design**



Maximum support up  
to 6 x 120 mm fan



Maximum radiator support  
up to 240mm



1 x Tempered Glass  
Window

# Thermaltake S100 TG Micro Case

## • Structure (External)



USB connector



Top filter

# Thermaltake S100 TG Micro Case

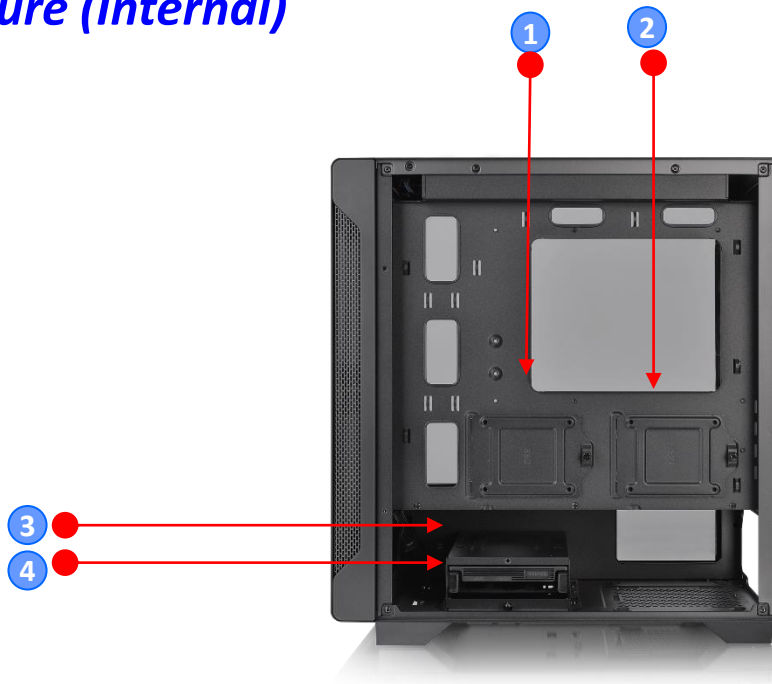
- **Ventilation**



One 120mm rear fan

# Thermaltake S100 TG Micro Case

## • Structure (Internal)



2 x 3.5" or 2.5" device



or



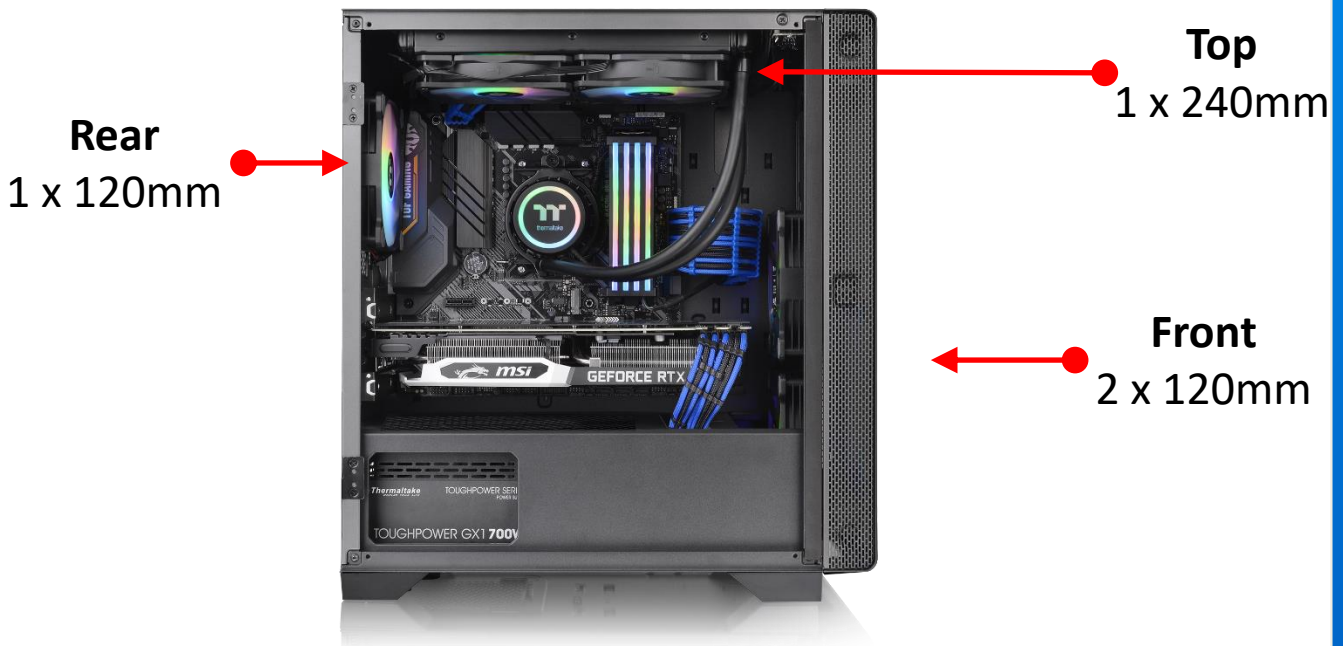
2 x 2.5" device





# Thermaltake S100 TG Micro Case

## •The Cooling System – AIO Liquid Cooling (Optional)



# Thermaltake S100 TG Snow Micro Case

## • Appearance – Window



Angle view



Left Side view



Front view



Right Side view



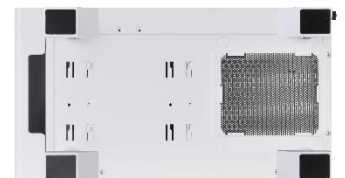
Internal Structure



Rear view



Top view



Bottom view

# Thermaltake S100 TG Snow Micro Case

- **Unique Design**



Maximum support up  
to 6 x 120 mm fan



Maximum radiator support  
up to 240mm



1 x Tempered Glass  
Window

# Thermaltake S100 TG Snow Micro Case

## •Structure (External)



USB connector



Top filter

# Thermaltake S100 TG Snow Micro Case

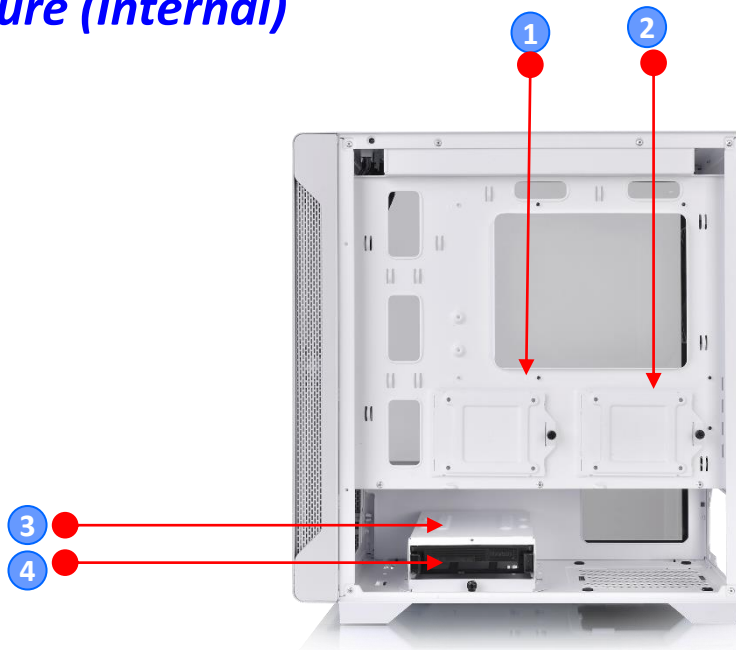
- **Ventilation**



One 120mm rear fan

# Thermaltake S100 TG Snow Micro Case

## • Structure (Internal)



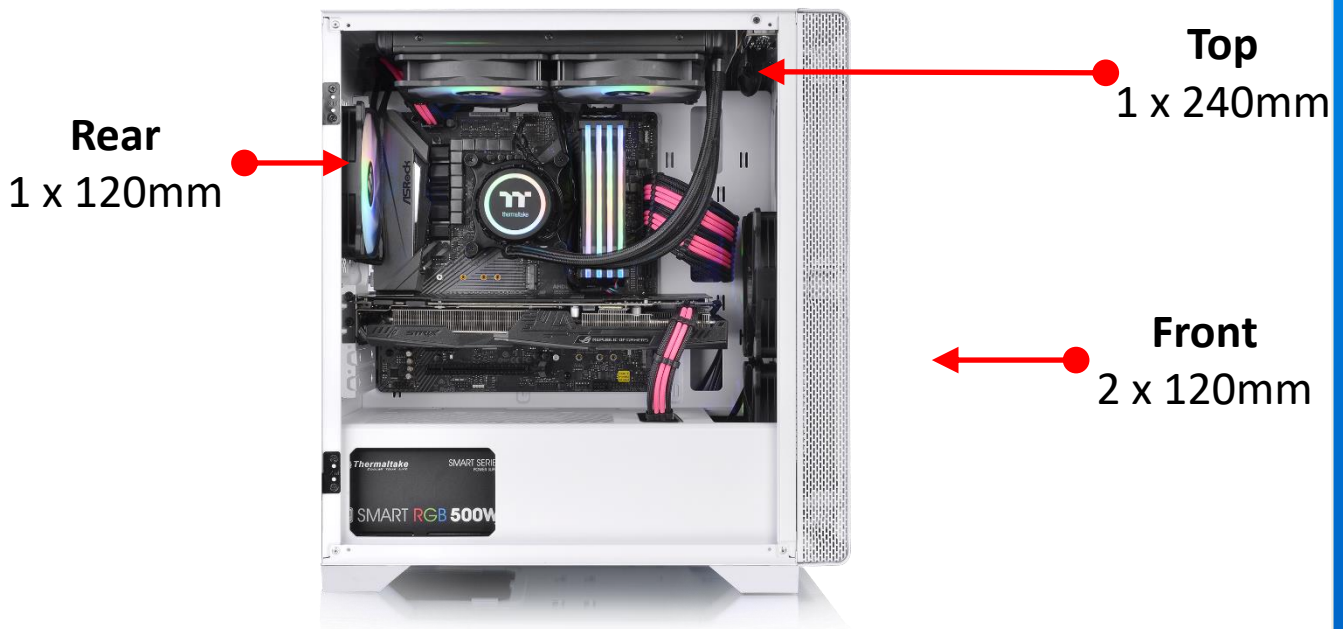
2 x 3.5" or 2.5" device

2 x 2.5" device



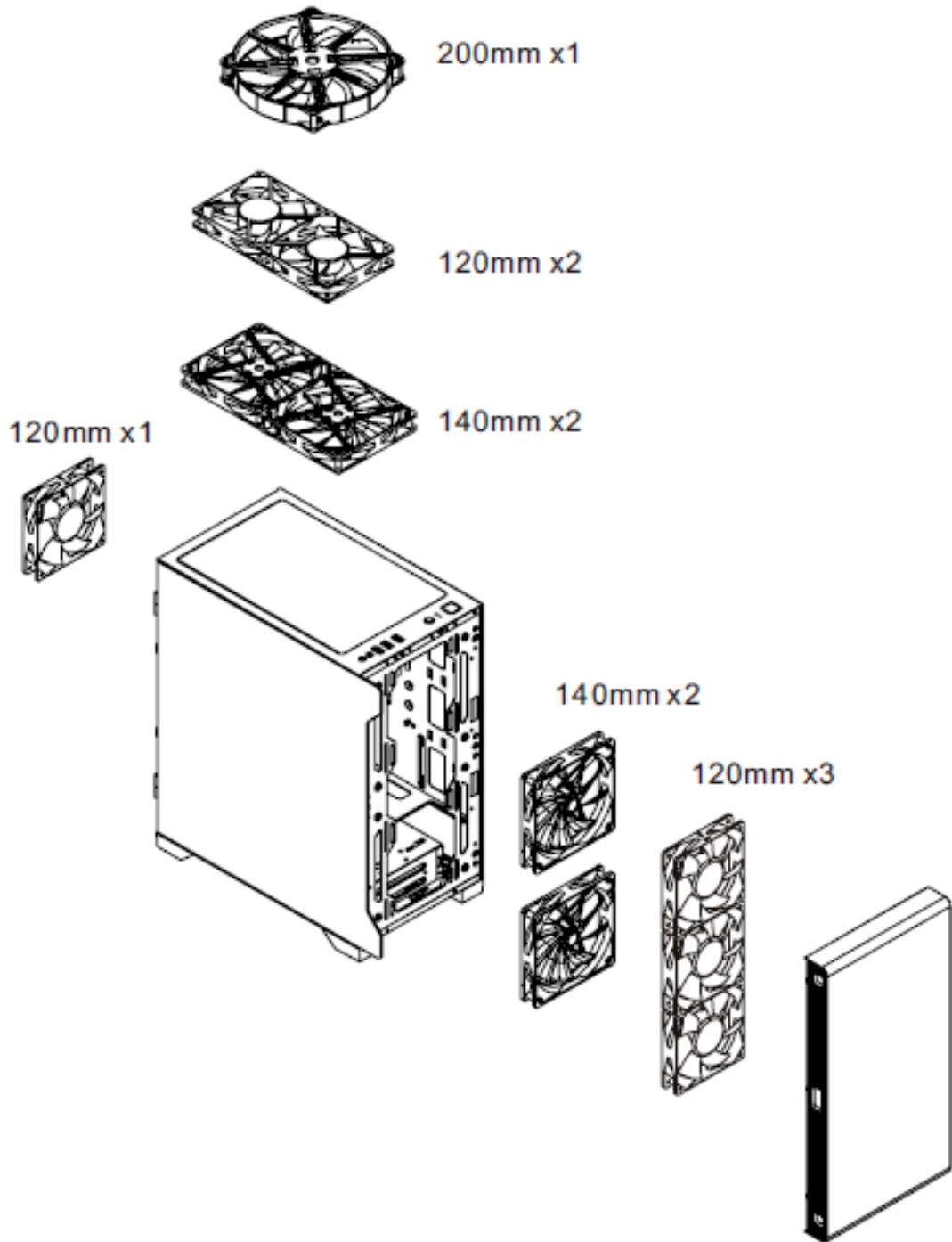
# Thermaltake S100 TG Snow Micro Case

## •The Cooling System – AIO Liquid Cooling (Optional)



# Thermaltake S100 TG Snow Micro Case

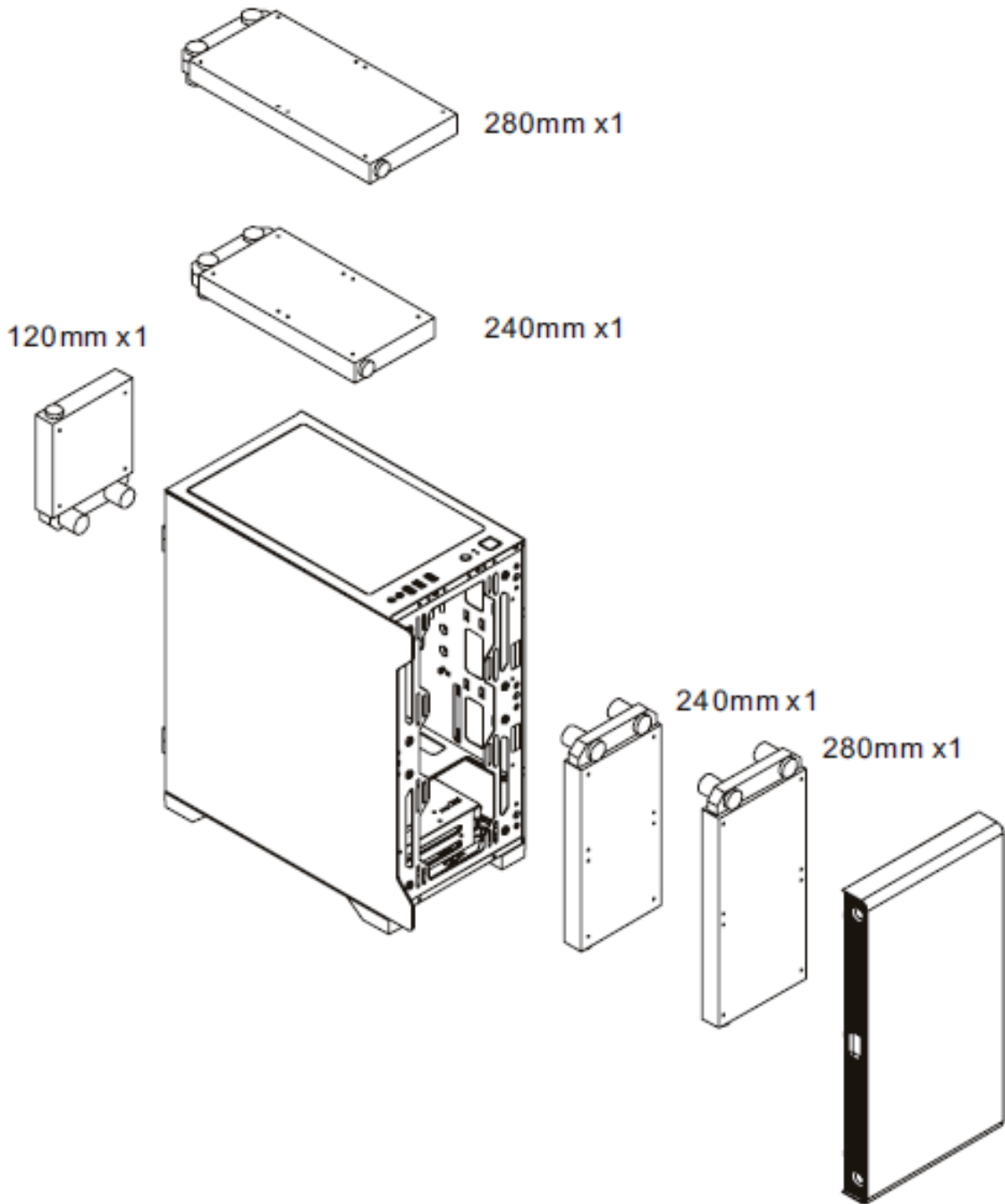
## • Fan compatibility





# Thermaltake S100 TG Snow Micro Case

## • Radiator compatibility



# Thermaltake S100 TG Micro Case

## • Compatibility List

Fan Compatibility List			
	120mm	140mm	200mm
Front	3	2	-
Top	2	2	1
Rear	1	-	-

Thermaltake Compatible Fan			
	120mm	140mm	200mm
PURE FAN Series	●	●	●
Riing FAN Series	●	●	●

Radiator Compatibility List						
	120 mm	240 mm	360 mm	140 mm	280 mm	420 mm
Front	●	●	-	●	●	-
Top	●	●	-	●	●	-
Rear	●	-	-	-	-	-

All-in-One Compatibility List (Water 3.0 and Floe series)						
	Performer	Pro	240 Series	360 Series	140 Series	280 Series
Front	●	●	●	-	●	●
Top	●	●	●	-	●	●
Rear	●	●	-	-	-	-