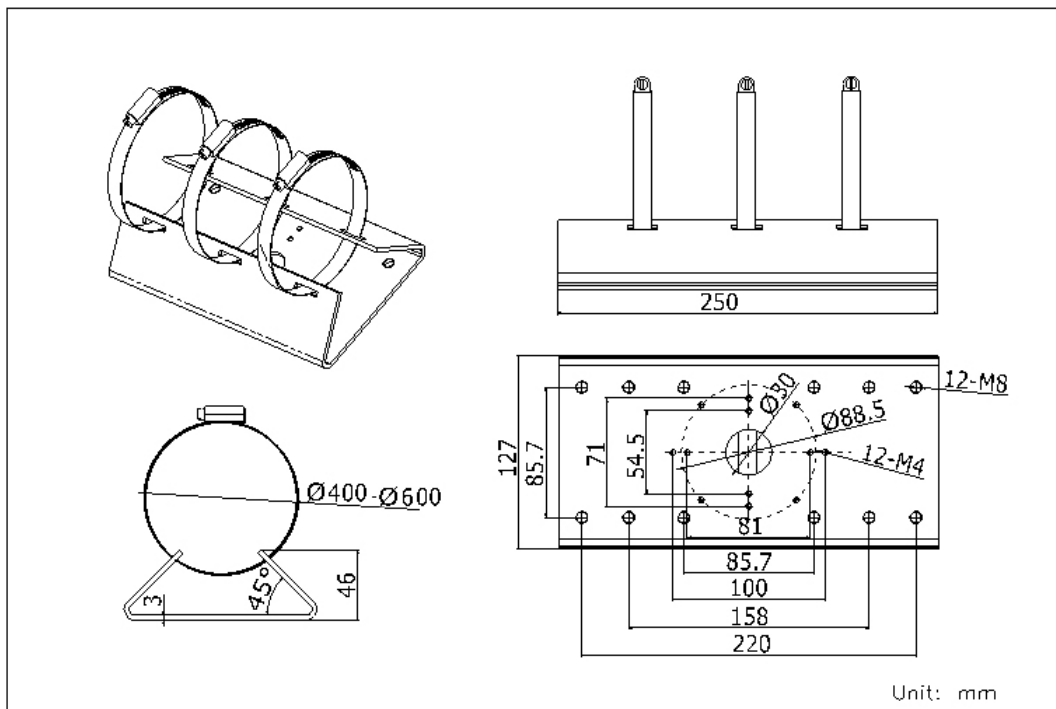


Traffic Video Unit-Steel hoop 400/600

Feature

- Galvanized steel sheet and steel material with surface spray treatment
- Can be used for radar, supplement light, and traffic unit.

Dimension



Available Model

Steel hoop 400/600

Parameter

| | |
|------------|--|
| Model | Steel hoop 400/600 |
| Parameters | Vertical Pole Mounting Bracket |
| Appearance | OUTDOOR WHITE |
| Material | Galvanized steel sheet and Steel(sus304) |
| Dimension | 250 mm × 127 mm × 46mm |
| Weight | 1.6 Kg |

Note

- The bracket should be installed on the cross bar.
- The cross bar must be capable of supporting at least 3 times as much as the total weight of traffic unit and the bracket.