

Creality Falcon2

Safer, Smarter, Stronger

Innovations for All Great Ideas



22W strong power
Cut 15mm wood with one pass



Magical colorful
engraving



25000mm/min
ultra-fast



New integrated
air assist



Triple monitoring
systems



Five safety
protections



Cut 0.05mm stainless
steel sheet with one pass



Pre-assembled structure
Offline dynamic preview

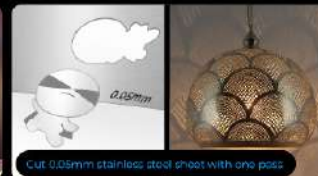


Create A Masterpiece



22W More Powerful Than Ever

Based on the latest FAC spot compression technology, four powerful 6W laser diodes are compressed to increase the laser power to 22W.



Cut a Smoother Surface

Creality Falcon2:
Smooth Surface



Pine Board : 10mm
Speed: 180mm/min
Power: 100%
Pass: 1

Others:
Carbonized Surface



Pine Board : 10mm
Speed: 120mm/min
Power: 100%
Pass: 1

25000mm/min Fast for Higher Productivity

With 2x faster engraving speed, Falcon2 allows you to spend less time creating more.

Creality Falcon2

 30min



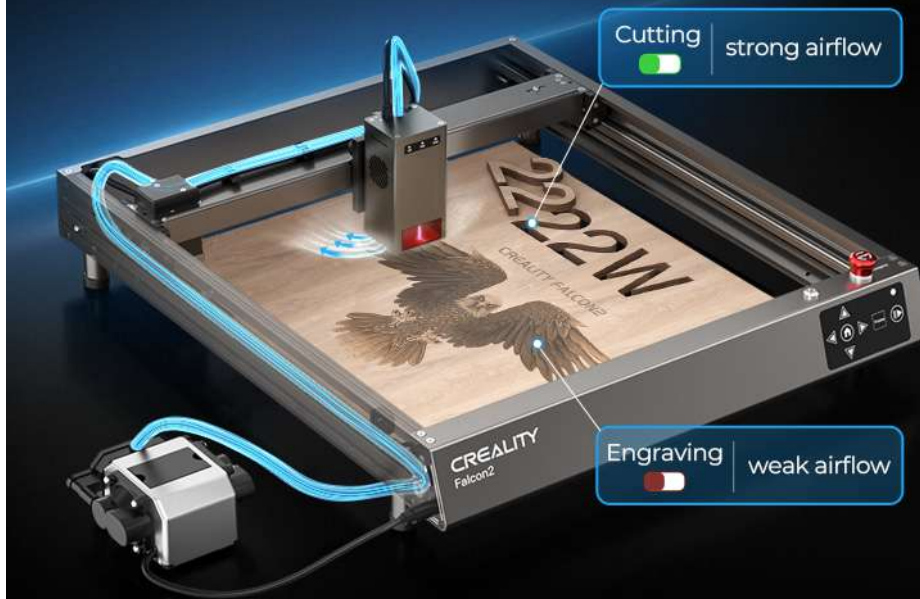
Others



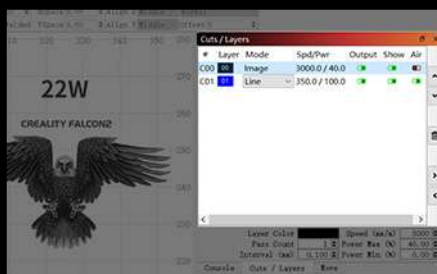
VS

Groundbreaking Integrated Air Assist

Manually adjust the air assist steplessly through the knob, or it can automatically adjust the airflow through LightBurn, to remove smoke and protect the laser lens, bringing a cleaner result.



Adjust airflow through LightBurn



Adjust airflow steplessly through the knob



VS



With air assist: clean surface



Without air assist: yellowed surface

Triple Monitoring Systems

(Note: The alarm function is disabled by default.
Please enable it in the settings if needed.)



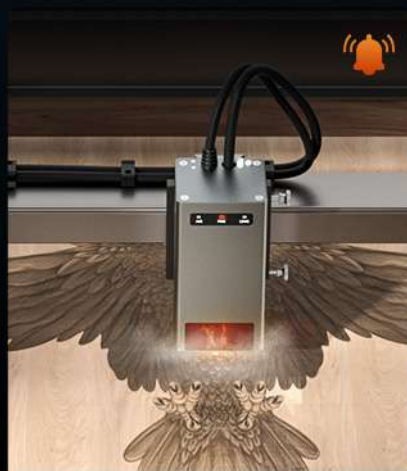
Airflow Monitoring

Indicates the current airflow volume. It enables you to adjust the airflow based on your engraving needs.



Lens Monitoring

Built-in lens monitoring system will trigger an alarm when the lens is dirty enough, which helps avoid lens breakage and frequent replacement.



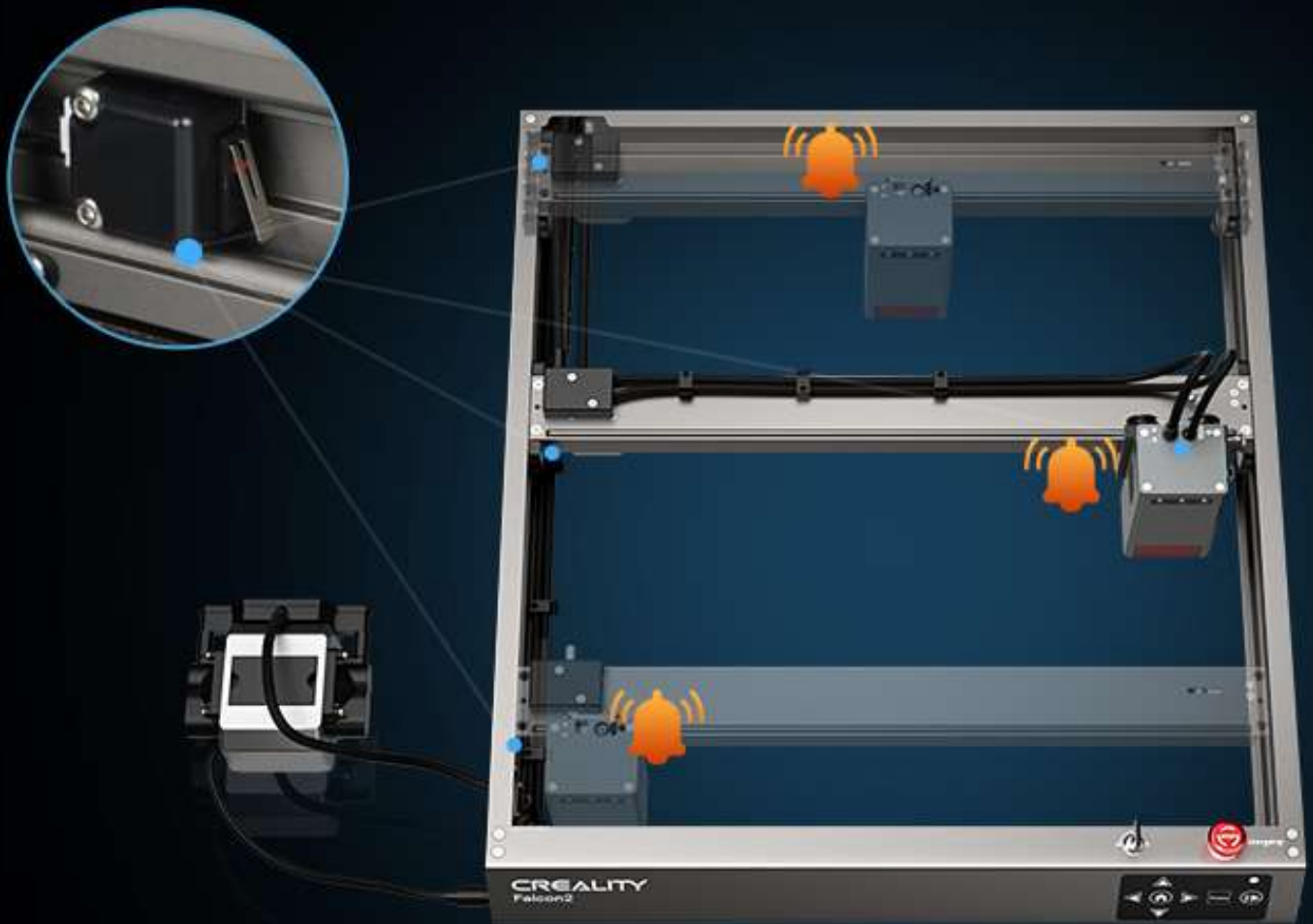
Flame Monitoring

When a flame is detected, the indicator will flash red with an alarm and the machine will stop immediately.

Five Safety Protections

1. Bidirectional Limit Switch

If the laser head hits the boundary, the machine will stop automatically and a buzzer will sound an alarm.



2. Active Stop Function

The machine will stop working in case of accidental tilt, flip or drop, with the buzzer and indicator sending alert.





3. Security Lock Design

Professional use only.



4. Emergency Stop Button

If an emergency occurs during operation, you can also manually stop the machine immediately.

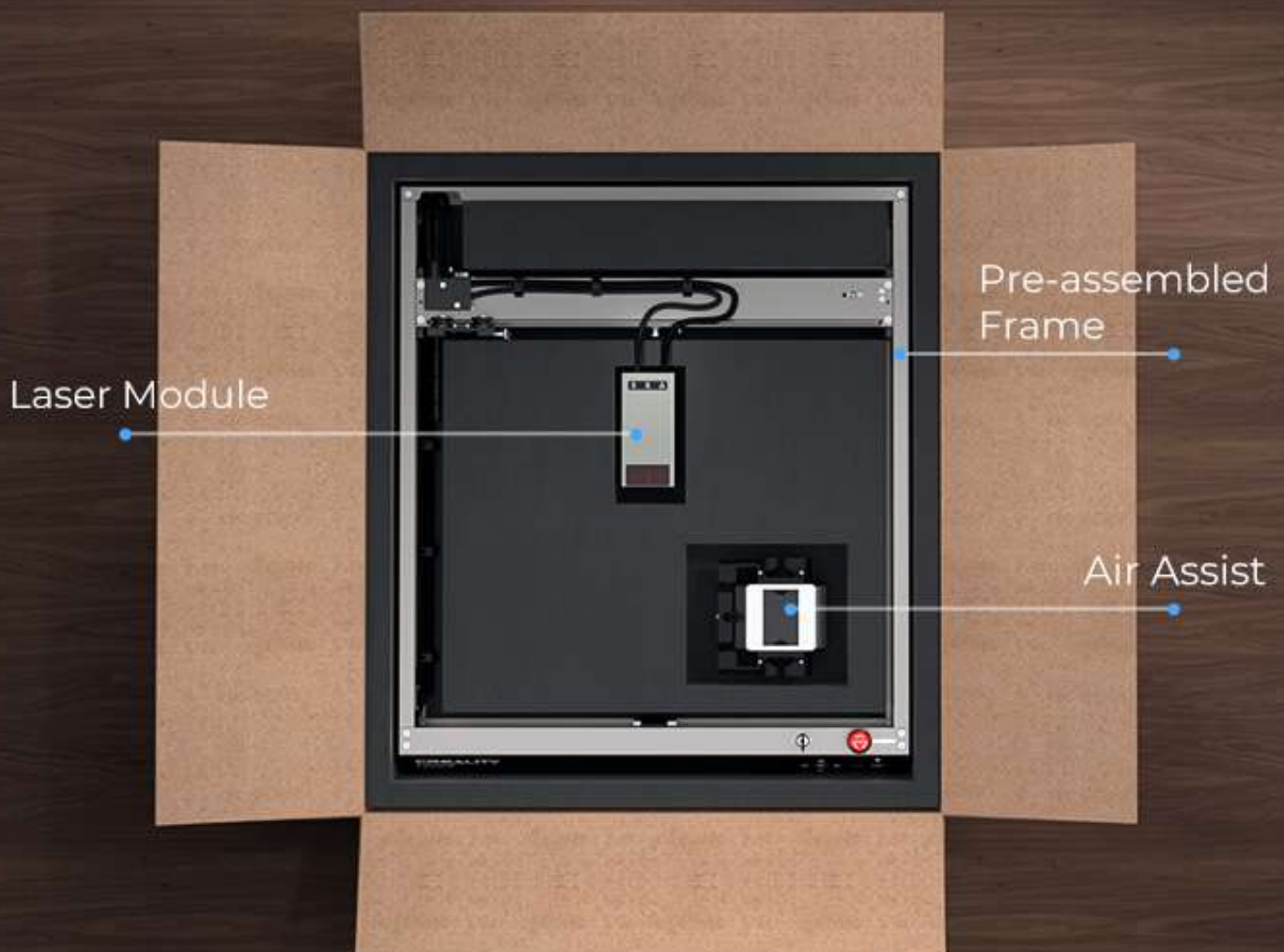


5. Laser Protective Cover

Made of high-efficiency colored filter glass material, the protective cover around the laser head will effectively prevent the laser from dazzling the eyes.

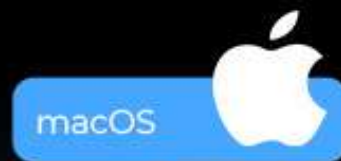
Get Things Done with Less Hassle

Only 3 steps are needed for full assembly.
You can enjoy creating as soon as possible.



Extensive Compatibility

Compatible with a variety of systems, including Windows and macOS systems, and software such as LaserGRBL and LightBurn.



*LaserGRBL is a trademark of LaserGRBL Inc. LIGHTBURN is a trademark of LIGHTBURN Inc.

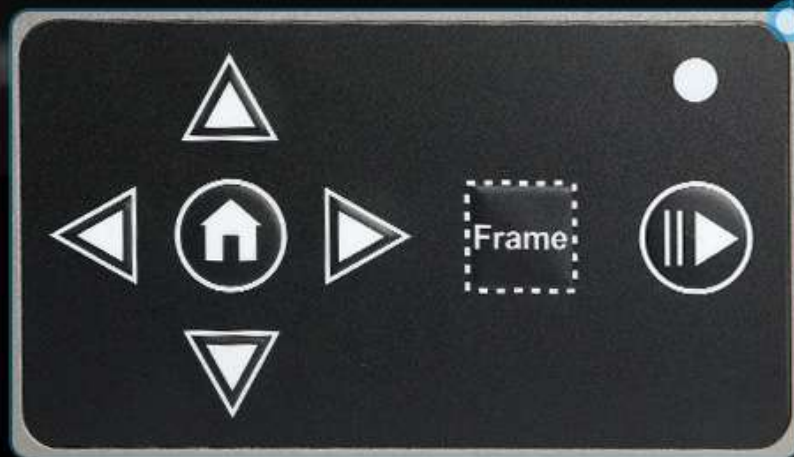
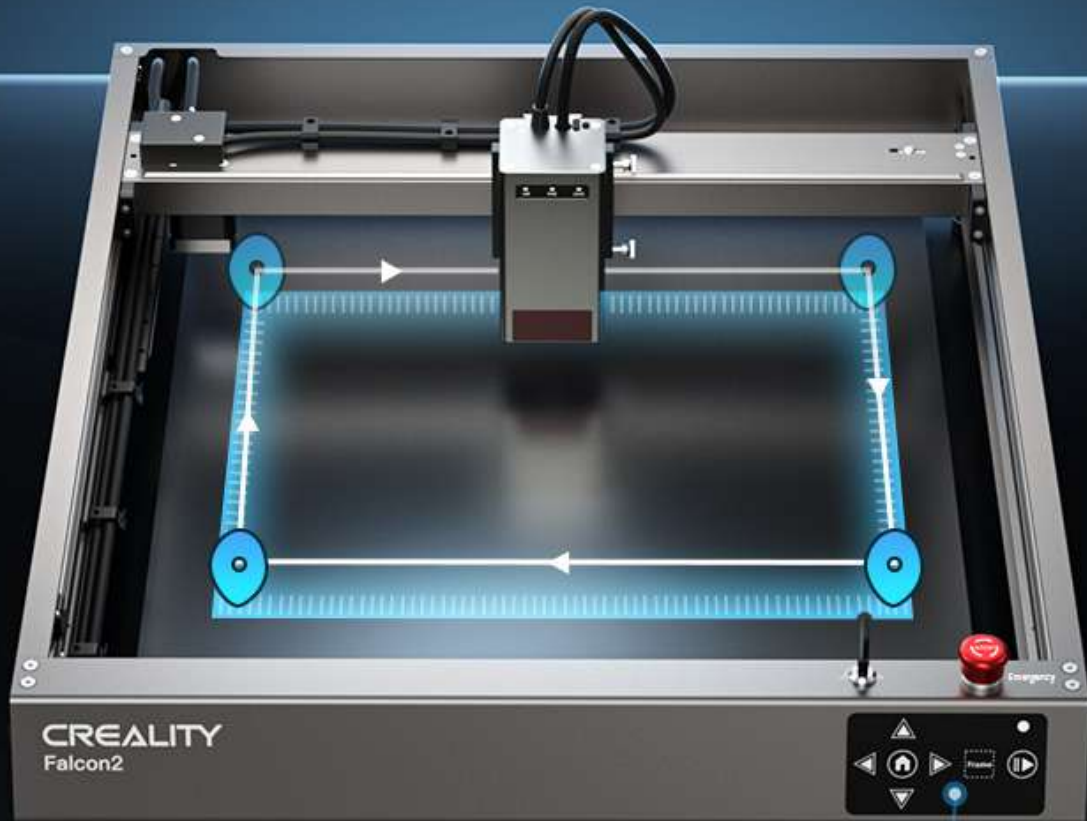
Support Offline Creating

Just insert a TF card, and you can feel free to create anytime, anywhere.



Offline Dynamic Preview

Position and adjust precisely without connecting to a computer.



Short press to fine-tune 1mm, and long press to adjust 10mm/s.

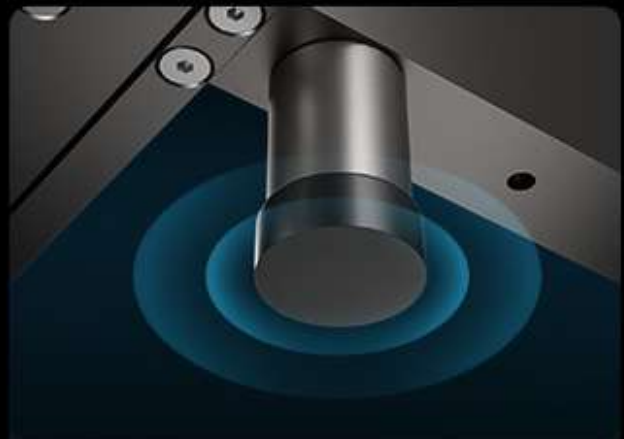
Outstanding Motion Stability

The full aluminum alloy structure design brings a more solid machine, ensuring exceptional stability even in high-speed operation.



Integrated Rail & Durable Wheels

Integrated sliding rail keeps the running highly synchronized, while the U-shaped wear-resistant wheels make motion more stable.

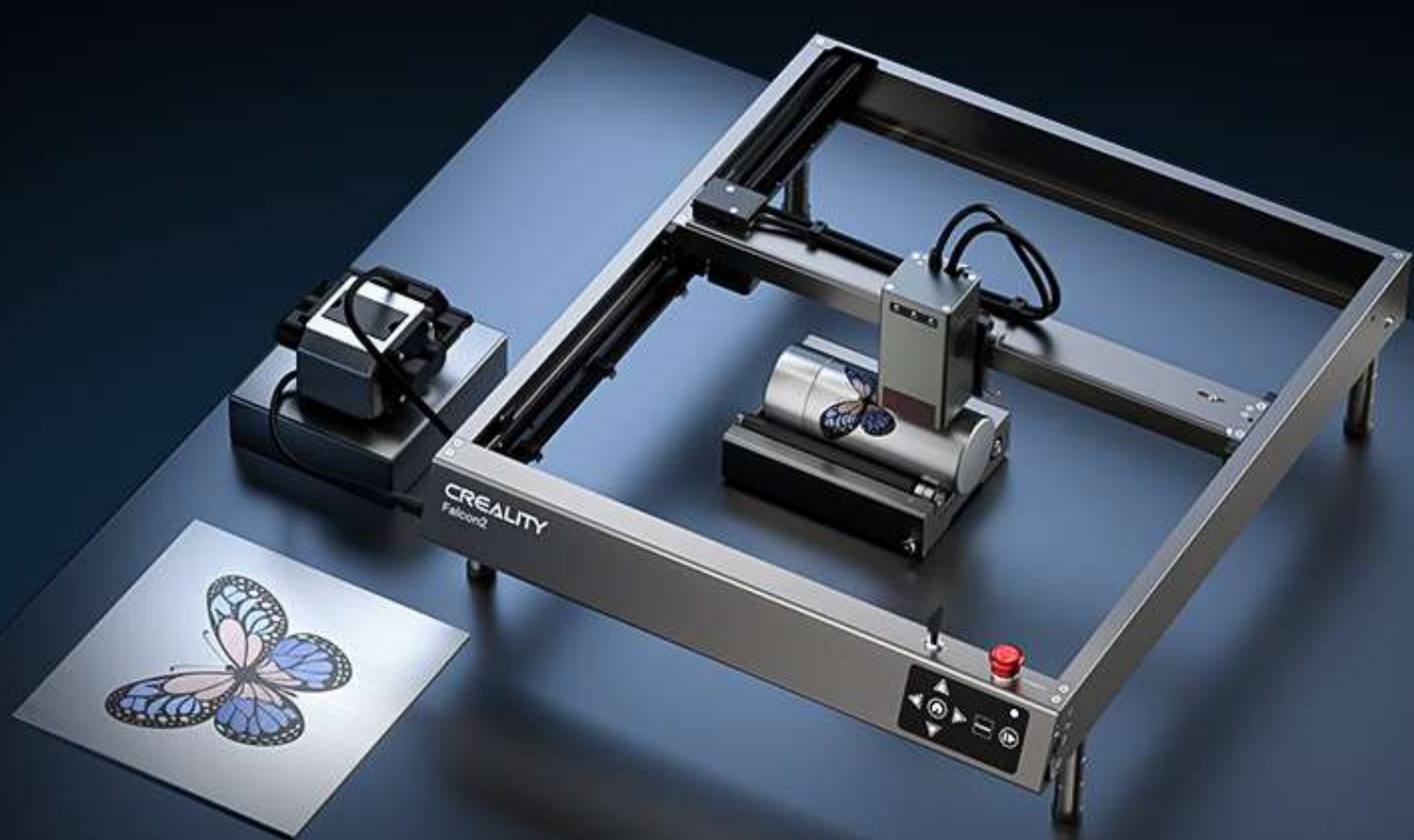


Silicone Foot Pads

The newly designed foot pads help it stand firmly on the table, ensuring 360-degree non-slip operation.

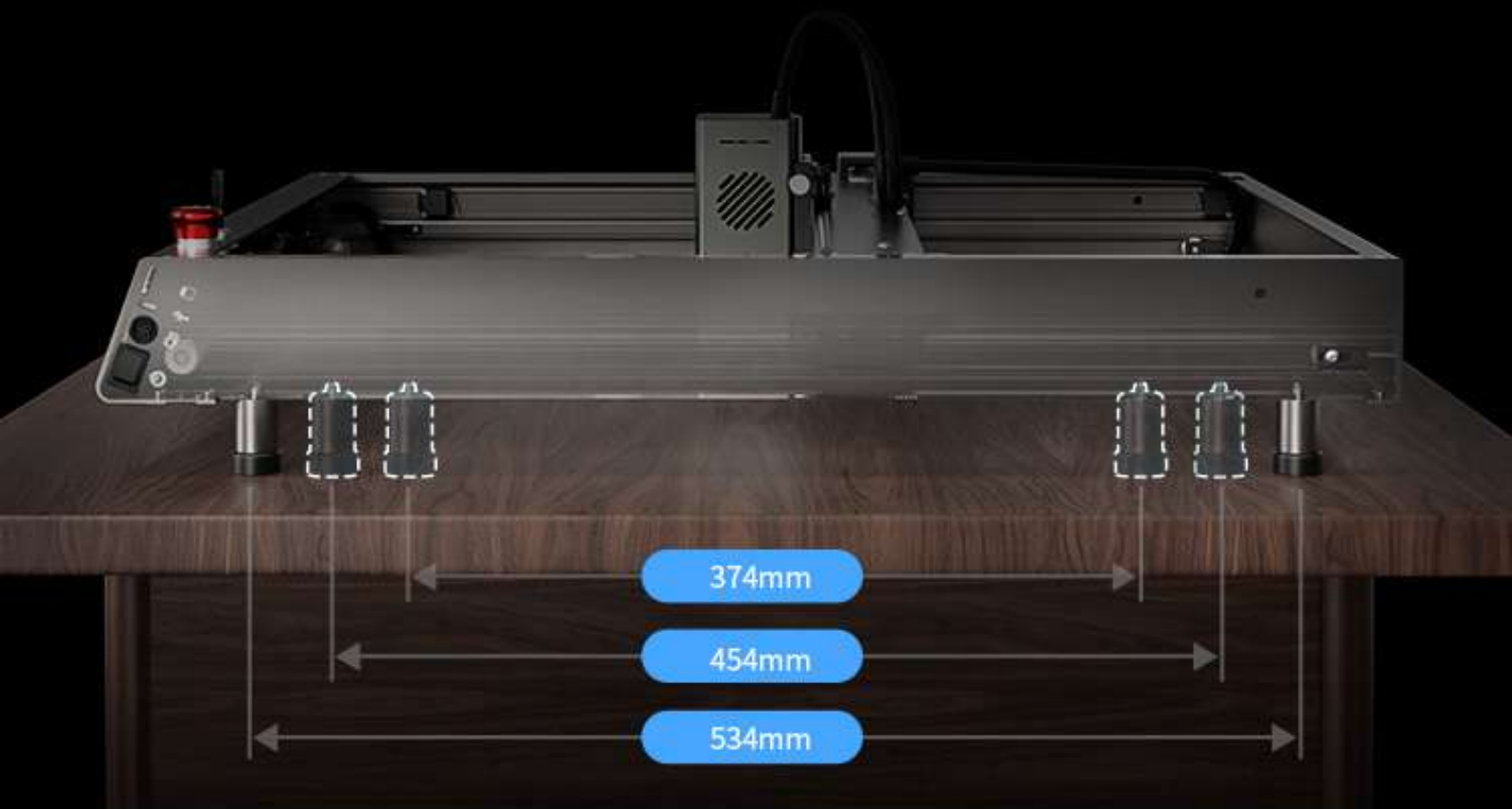
Add Some Colors to Your Works, and Your Life

When the stainless steel is heated by the super powerful laser beam, the metal surface will physically react and produce hundreds of colors, bringing your works to life.



Take the Experience Further

There are 3 adjustment holes on the bottom of the machine to suit different table sizes.





Silicone Pads

Can be fine-tuned manually to suit uneven tables.



Adjustable Risers

Multi-segment equal-length risers to increase the height, for engraving skateboards, basketballs and other taller objects. (Note: 8 sections of risers are provided.)



Integrated Cable Storage

Keep it secure and well-organized.

Unlock Your Creativity with Creality Falcon2

From DIY home projects to maker education, from jewelry customization to business signage, whatever you can think of, you can make with Falcon2.



Creality Falcon 2 (22W)

Product



Laser Power	22W
Cutting Capacity	Cut 15mm wood with one pass
Engraving Speed	25000mm/min
Colorful Engraving	✓
Spot Size	0.1mm
Working Area	400*415mm
Laser Wavelength	455±5nm
Resolution	254dpi
Laser Source	Diode Laser
Input Voltage	100-240V ~ 50~60Hz
Output Voltage	DC 24.0V 5.0A
Supported File Formats	svg, png, jpg, jpeg, bmp, dxf
Supported Software	LaserGRBL, LightBurn
Supported Materials	Cardboard, wood, bamboo, rubber, leather, fabric, acrylic, plastic, metal
Engraving File Format	Gcode
Operating System	windows / macOS